



Volvo Trucks. Driving Progress

VOLVO FH16

PRODUCT OVERVIEW



VOLVO FH16

When you need power.

PLENTY OF LIVING SPACE.
For a comfortable life on the road.

IMPROVED CAB INSULATION.
For a comfortable cab climate.

NEW VOLVO IRON MARK.
For an iconic look.

UP TO 750 HP.
Power and torque to pull any load.

ADAPTIVE CRUISE CONTROL WITH STOP AND GO.
For a relaxed drive, even in busy traffic.

DOWNHILL CRUISE CONTROL.
Primarily uses the auxiliary brakes to keep down speed.

ROAD SIGN RECOGNITION.
Stay within limits.

ENGINE BRAKE AND HYDRAULIC RETARDER.
Saving the wheel brakes.

VOLVO DYNAMIC STEERING.
Stability, control and less strain.

I-SHIFT WITH CRAWLER GEARS.
Excellent startability and full control at low speeds.

I-SEE.
Knows every hill to save fuel.





ALWAYS CONNECTED.
Communicates remotely with the workshop.

EFFICIENT POWERTRAINS.
Making the most of your fuel.

DRIVER SUPPORT SYSTEMS.
Safety backup when needed.

EFFICIENT AXLES.
Perfect matches for a wide range of applications.

FLEXIBLE CHASSIS
Easy to tailor for specific needs.

38 TONNE BOGIE.
Manage high payloads.

Exterior features.

LOW SLEEPER CAB.

Option with extra cab roof protection.

XXL CAB AVAILABLE.

Excellent living comfort.

ROBUST ROOF HATCH.

For tough use in harsh environments.

PASSENGER CORNER CAMERA.

Covers areas close to the truck.

REMOTE STEERING.

Uses Volvo Dynamic Steering to drive the truck from outside the cab.

EXCELLENT VISIBILITY.

Large window areas and a low door line.

IMPROVED AERODYNAMICS.

Rounder shapes.

FH16 UNIQUE GRILLE.

With silver finish and a characteristic pattern.

HEADLAMPS WITH BLACK THEME.

Choose between LED or halogen.

ADAPTIVE HIGH-BEAM.

LED headlamps that adapt the high beam to the traffic environment.

MORE LOAD ON THE AXLES.

Air suspended axles take up to 10 tonnes.



F416



Exterior trim levels.

Choose between three different exterior trims and hundreds of colours to suit your taste and your practical needs.



BASIC TRIM. Black grille and thunder grey bumper, mirrors and other details. Only the cab body is painted.



BASIC WITH STURDY FRONT TRIM. Heavy-duty bumper. Black grille and thunder grey bumper, mirrors and other details. Only the cab body is painted. Headlamps with black theme.



THE VOLVO FH16 TRIM. Unique silver-finished Volvo FH16 grille and headlamps with a black theme. Bumpers, mirrors etc, are all painted in the body colour. Aluminum details on instep.

Interior features.

VOLVO FH16 UNIQUE INTERIOR.

DIGITAL INSTRUMENT DISPLAY.

Fully dynamic and presents information based on the driving situation.

NINE-INCH SIDE DISPLAY.

Control media, cameras and truck functions.

INTEGRATED PARKING COOLER.

Always a comfortable climate.

THREE USB PORTS.

Better connection and charging possibilities.

TRACTION CONTROL PANEL.

Intuitive control of traction with excellent feedback in instrument display.

IMPROVED GEAR LEVER.

Integrated and with improved ergonomics.





STEERING WHEEL.
With leather.

**ADJUSTABLE STEERING WHEEL
WITH NECK TILT.**
Find the perfect driving position.

STEERING WHEEL CONTROLS.
Makes it easier to keep hands on the
steering wheel and eyes on the road.

LOW DOOR LINE.
Improves visibility.

LUXURY DRIVER SEAT.
Always comfortably seated.

FOAM MATTRESS OPTION.
To suit your preferences.



Interior trim levels.

The Volvo FH16 comes with a unique interior – available for the Volvo FH16 only. Choose between the textile or leather trim level. On top of this, you can choose from a wide range of colours. You'll find your style.



THE VOLVO FH16 TRIM. Textile and leather upholstery. Coral rubber mats, Coral decor trim and Bright Chrome trim lists.



THE VOLVO FH16 LEATHER TRIM. All-leather upholstery. Coral rubber mats, Coral decor trim and Bright Chrome trim lists.

Cab specifications.

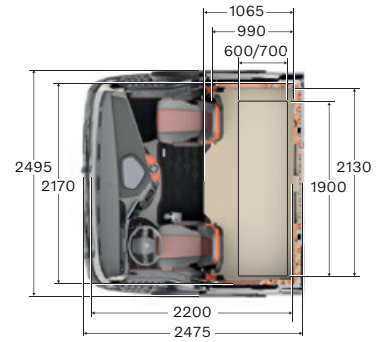
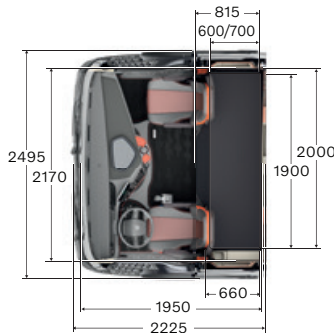
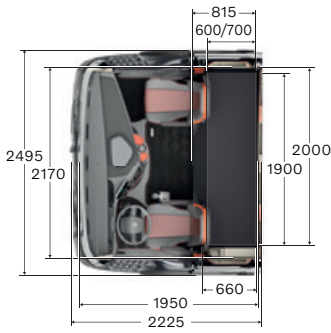
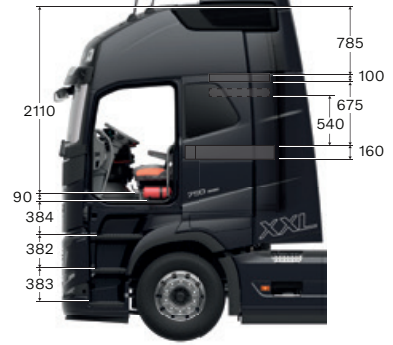
GLOBETROTTER CAB



GLOBETROTTER XL CAB



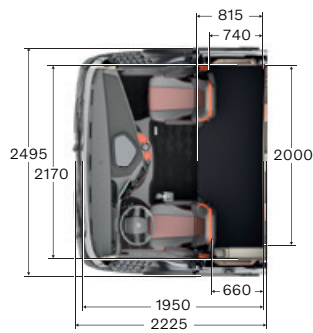
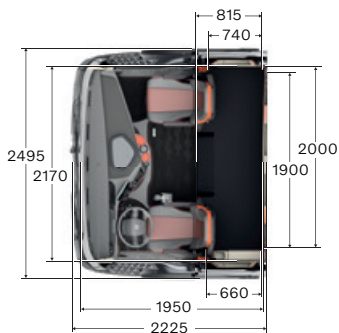
GLOBETROTTER XXL CAB



SLEEPER CAB



LOW SLEEPER CAB





Chassis.



INCREASED STEERING ANGLES.
Improved manoeuvrability and less tyre wear.

UP TO EIGHT CAMERAS.
Optimised view around the truck for every application.

BODY BUILDING MADE EASY.
Built right from the factory.

LOAD INDICATOR.
Utilisation within limits.

REAR VIEW CAMERA.
For precision and safety.

CONNECTED BODY.
Efficient use of body capacity.

TYRE PRESSURE MONITORING.
Lower fuel consumption and less tyre wear with the right pressure.

Powertrain.

Engines

16 LITRE	Max power	Max torque
D16K550 (410 kW)	550 hp at 1380–1700 r/min	2800 Nm at 900–1380 r/min
D16K650 (480 kW)	650 hp at 1450–1700 r/min	3150 Nm at 950–1450 r/min
D16K750 (550 kW)	750 hp at 1600–1700 r/min	3550 Nm at 950–1400 r/min

Gearboxes

I-SHIFT

12-speed splitter and range gearbox with automated gearchanging system.

The version with crawler gears facilitates easy operation with GCW up to 325 tonnes.

Type	Top gear	Engine torque (Nm)	GCW approval (tonnes)
AT2812F	Direct	2800	60
ATO3112F	Overdrive	3150	100
ATO3512F	Overdrive	3550	100

Some of the equipment shown or mentioned may only be available as options or accessories and may vary from one country to another in accordance with local legislation. Your Volvo dealer will be happy to provide you with more detailed information. Colours may vary somewhat owing to the limitations of the printing process. We reserve the right to alter product specifications without prior notification.



FH16

VOLVO

Volvo Truck Corporation
volvotrucks.co.uk